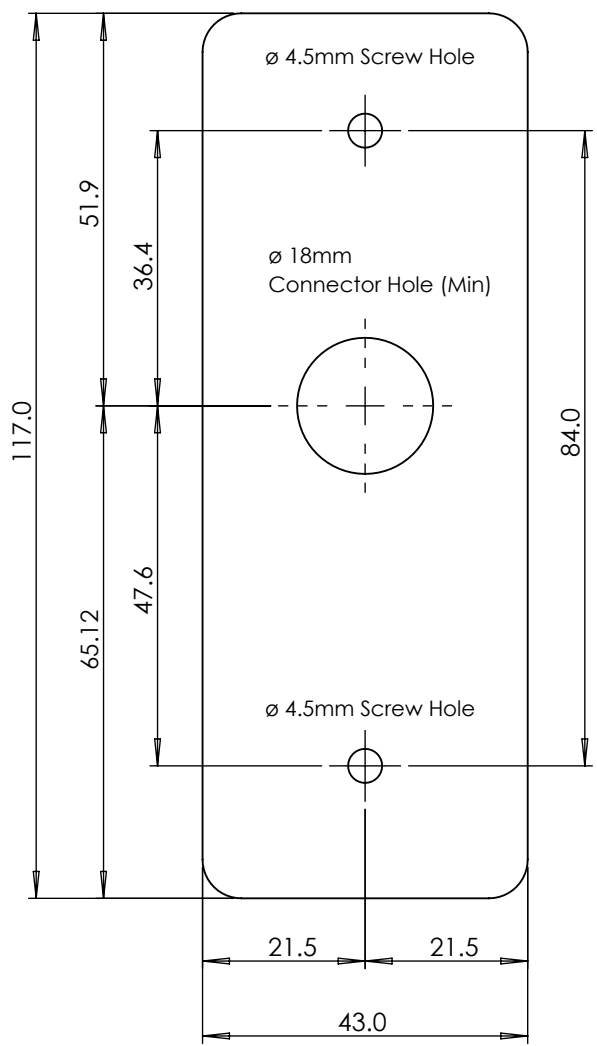


4 3 2 1

F

F

# TSL-STD Drill Template



E

E

D

D

C

C

Scale 1:1

B

B

# ICT

TITLE:  
TSL STD\_Drill Template

UNLESS OTHERWISE SPECIFIED:  
DIMENSIONS ARE IN MILLIMETERS

MATERIAL:  
-

DWG NO.  
-

A4

SCALE:1:1

SHEET 1 OF 1

4 3 2 1

A

A